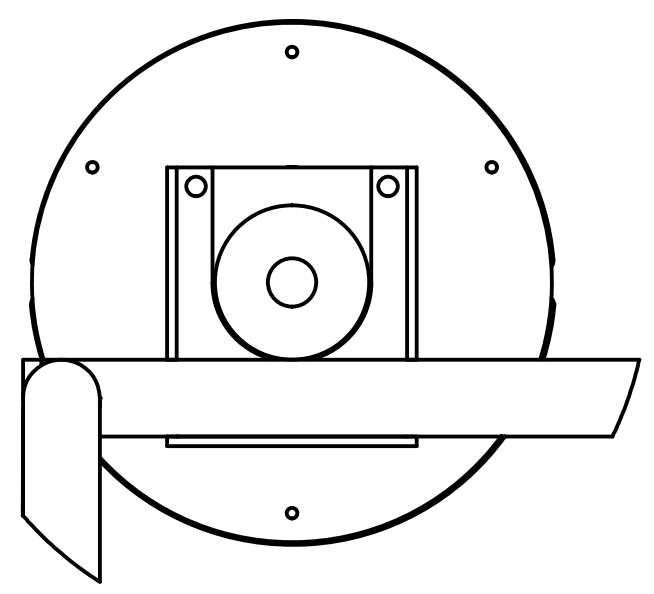
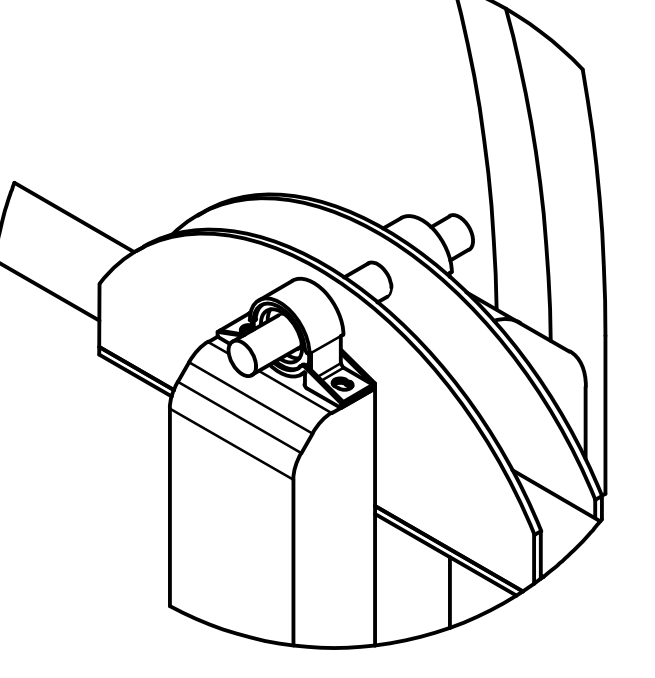


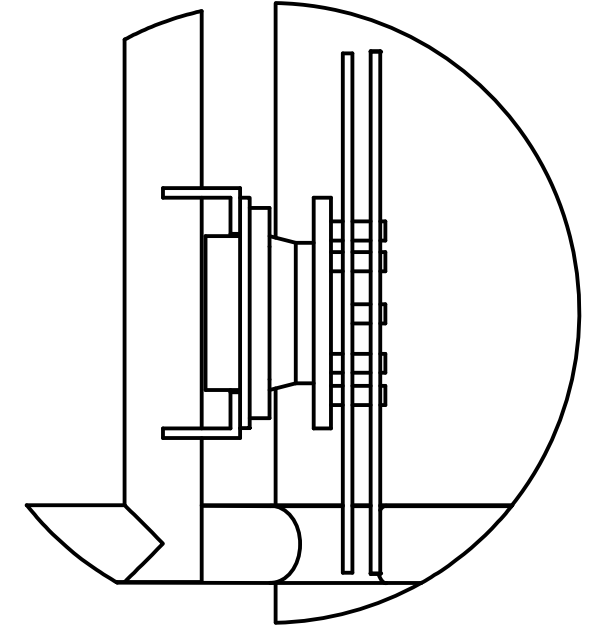
PARTS LIST				
ITEM	QTY	PART NUMBER	DESCRIPTION	MATERIAL
1	2	UNITBEARINGBOTTOM		ALUMINUM
2	2	UNITBEARINGTOP		ALUMINUM
3	1	BEARINGSLIPMOUNT		STEEL
4	1	XARMMOUNTPLATE1		STEEL
5	1	XARMMOUNTPLATE2		STEEL
6	1	XARMMOUNTPLATE3		STEEL
7	1	BEARINGSLIPMOUNT(1)		STEEL
8	1	LIGHTARM		STEEL
9	1	INSIDEMOUNTTOP		STEEL
10	1	INSIDEMOUNTBOTTOM		STEEL
11	1	INSIDEMOUNTTOP(1)		STEEL
12	1	INSIDEMOUNTBOTTOM(1)		STEEL
13	1	ELECTRONICSCASE		STEEL
14	1	MOUNTPLATE1		STEEL
15	1	MOUNTPLATE2		STEEL
16	2	WHEEL		ABS PLASTIC
17	1	XARM		STEEL
18	2	WHEELBRACKET1		STEEL
19	2	WHEELBRACKET2		STEEL
20	1	BASE		STEEL
21	2	XARMBEARING1	STAMPED-STEEL MOUNTED BALL BEARING--ABEC-1, 2-BOLT BASE MOUNT, FOR 1" SHAFT DIAMETER	STEEL
22	1	XARMSUPPORT		STEEL



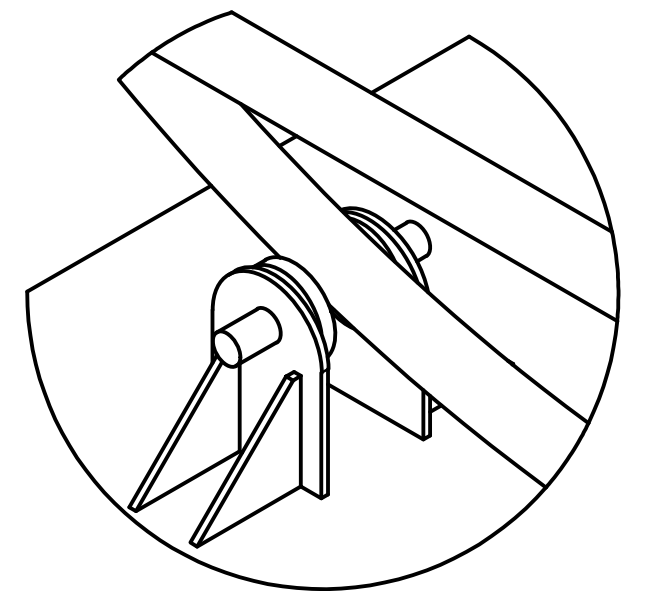
DETAIL A
SCALE 1:5



DETAIL B
SCALE 1:5



DETAIL C
SCALE 1:5



DETAIL D
SCALE 1:5

PROJECT		CubeRinth Maximus		
TITLE				
APPROVED	SIZE	CODE	DWG NO	REV
CHECKED	D			v128
DRAWN Reagan G	10/5/2015	SCALE	WEIGHT	SHEET 3 of 3